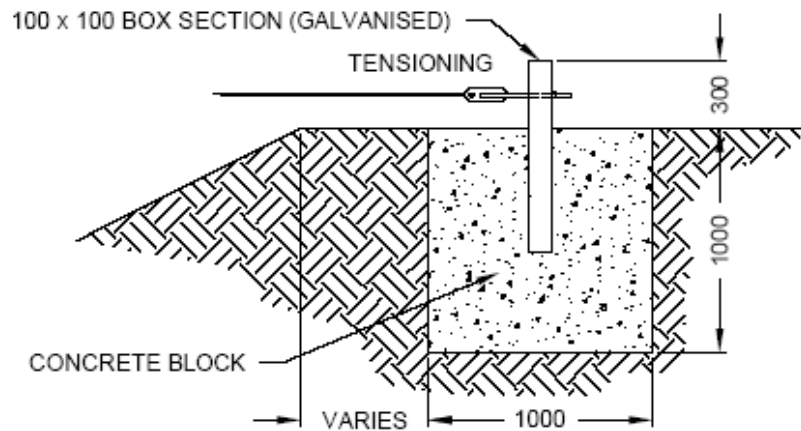


SECTIONAL ELEVATION



ANCHOR BLOCK DETAIL

A	BAFFLE LENGTH	
B	DEPTH	
C	SLOPE ANGLE	
D	TOTAL CABLE LENGTH	